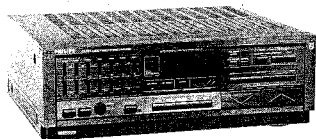


Service
Service
Service



Service Manual

TABLE OF CONTENTS	Page
Specifications	2
Connections and controls	3
Electrical adjustments, standard symbol list	4
Wiring diagrams	5,6,13,14 15,19,20
Schematic diagrams	7,8,9,10,11 12,16,17,18
Semi-conductor layout, list of mechanical parts	21,22
Exploded view	23,24
List of electrical parts	25

(GB)

Safety regulations require that the set be restored to its original condition and that parts which are identical with those specified be used.

(NL)

Veiligheidsbepalingen vereisen, dat het apparaat in zijn oorspronkelijke toestand wordt teruggebracht en dat onderdelen, identiek aan de gespecificeerde worden toegepast.

(F)

Les normes de sécurité exigent que l'appareil soit remis à l'état d'origine et que soient utilisées les pièces de rechange identiques à celles spécifiées.

(D)

Bei jeder Reparatur sind die geltenden Sicherheitsvorschriften zu beachten. Der Originalzustand des Geräts darf nicht verändert werden für Reparaturen sind Original-Ersatzteile zu verwenden.

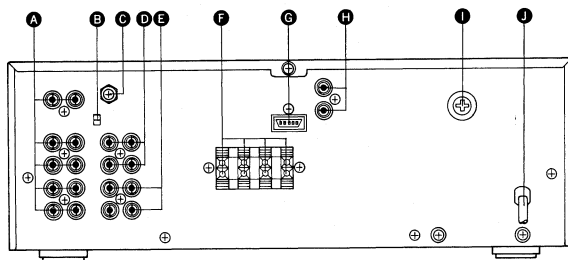
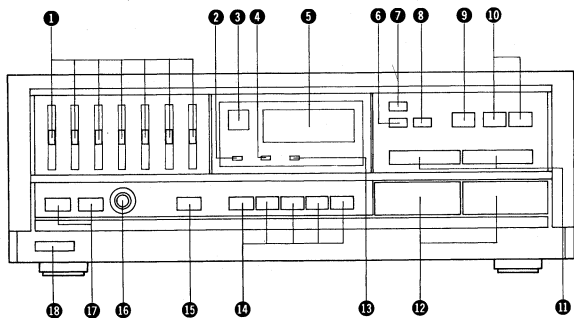
(I)

Le norme di sicurezza esigono che l'apparecchio venga rimesso nelle condizioni originali e che siano utilizzati pezzi di ricambio identici a quelli specificati.



SPECIFICATION

General	Nominal value	Typical value
Mains voltage	: 220V ~ (/00R) : 240V ~ (/05R)	: 220V ~ (/00R) : 240V ~ (/05R)
Mains frequency	: 50 - 60 Hz	: 50 - 60 Hz
Power consumption	: 230W max	: 268W max
Dimensions (WxHxD)	: 360 x 120 x 300 mm	: 360 x 120/128 x 300 mm
Weight	: 7.1 kg	: 7.1 kg
Amplifier		
Output power	: 50W in 8 Ω (IEC)	: 50W in 8 Ω (IEC)
Distortion		
T.H.D.	: \leq 0.05% at 1 kHz : \leq 0.1% at 63 Hz-12.5 kHz } (IEC) : \leq 0.05% at 60/7000 Hz 4:1	: \leq 0.01% at 1 kHz : \leq 0.1% at 65 Hz-12.5 kHz } (IEC) : \leq 0.02% at 60/7000 Hz 4:1
Intermodulation		
Frequency characteristic		
Phono input tone control	: from 20 Hz - 20 kHz \pm 1.5 dB (IEC)	: from 20 Hz - 20 kHz \pm 0.5 dB (IEC)
Other inputs neutral	: from 20 Hz - 20 kHz \pm 2 dB	: from 10 Hz - 30 kHz \pm 2 dB
Frequency equalizer control	: at 64 Hz +10 dB to -10 dB \pm 2 dB : at 150 Hz +10 dB to -10 dB \pm 2 dB : at 400 Hz +10 dB to -10 dB \pm 2 dB : at 1 kHz +10 dB to -10 dB \pm 2 dB : at 2.5 kHz +10 dB to -10 dB \pm 2 dB : at 6.3 kHz +10 dB to -10 dB \pm 2 dB : at 15 kHz +10 dB to -10 dB \pm 2 dB	: at 64 Hz +10 dB to -10 dB : at 150 Hz +10 dB to -10 dB : at 400 Hz +10 dB to -10 dB : at 1 kHz +10 dB to -10 dB : at 2.5 kHz +10 dB to -10 dB : at 6.3 kHz +10 dB to -10 dB : at 15 kHz +10 dB to -10 dB
Signal/noise ratio weighted (A-curve)		
Phono input	: for 50W output \geq 77 dB (IEC)	: for 50W output \geq 77 dB (IEC)
Other inputs	: for 50W output \geq 95 dB (IEC)	: for 50W output \geq 95 dB (IEC)
Channel separation	: at 1000 Hz \geq 55 dB : at 250 Hz - 10 kHz \geq 35 dB	: at 1000 Hz \geq 65 dB : at 250 Hz - 10 kHz \geq 45 dB
Input sensitivity/Input impedance		
Audio		
Phono	: 2.8 mV/47 k Ω	: 2.5 mV/47 k Ω
Tuner/CD/Aux/Tape	: 150 mV/25 k Ω	: 150 mV/25 k Ω
TV/Video	: 150 mV/25 k Ω	: 150 mV/25 k Ω
Output level/Output impedance		
Tape (Audio)	: 220 mV/3.5 k Ω (Phono 5.0 mV 1 kHz input)	: 220 mV/3.5 k Ω (Phono 5.0 mV 1 kHz input)



CONNECTIONS AND CONTROLS

1	Graphic equalizer control	RF51~RF57	16	Headphone socket	JW01
2	Volume memory indicator	DR07	17	LS A/B switch	SR17, SR18
3	Remote control sensor	QR01	18	Mains switch	SP01
4	Volume preset indicator	DR08			
5	Display	VR01	A	Input	J401, JS01, JS02
6	Volume preset switch	SR02	B	Mode switch	SS71
7	Volume memory switch	SR01	C	Ground terminal	JO31
8	Muting switch	SR03	D	Video input/output	JS71
9	Copy switch	SR15	E	Tape input/output	JS72
10	Video/tape monitor switch	SR04, SR05	F	LS output A/B	J751
11	Balance left/right switch	SR06, SR07	G	Convenient bus	JV02
12	Volume up/down switch	SR08, SR09	H	Remote control bus	JV01
13	Muting indicator	DR09	I	Fuse holder	JO01
14	Function switch	SR10~SR14	J	Mains cord	W001
15	EQ defeat switch	SR16			

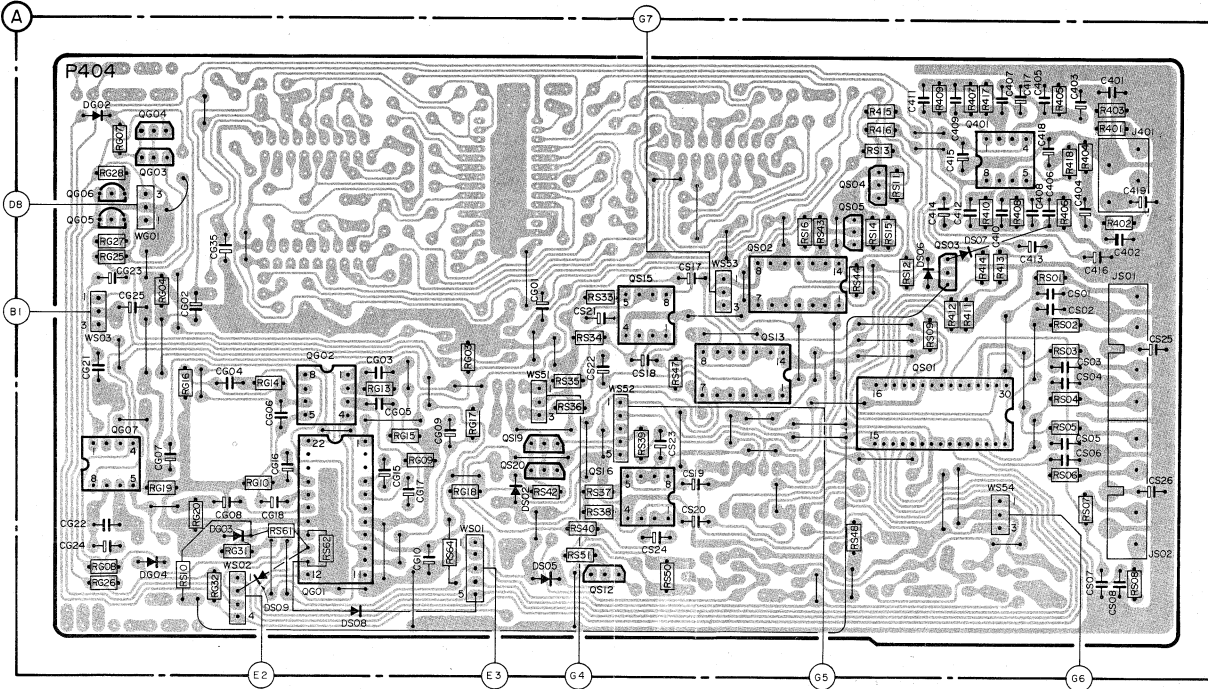
Idling Current

SK... SWITCH						
			Min.	Lch R719		Lch TP1(+), TP3(-) (Both ends of R755) DC3mV (15mA)
				Rch R720		Rch TP2(+), TP4(-) (Both ends of R756) DC3mV (15mA)

	Carbon film 0.125 W or 0.2 W	70°C	5%		Ceramic plate Tuning ≤ 120 pF NP.0 2% Others -20/+80%	*a = 2.5 V b = 3.15 V or 4 V c = 6.3 V d = 10 V e = 16 V f = 25 V g = 40 V h = 63 V i = 100 V j = 125 V m = 150 V n = 180 V q = 200 V r = 250 V s = 300 V t = 350 V u = 400 V v = 500 V w = 630 V x = 1000 V A = 1.6 V B = 6 V C = 12 V D = 15 V E = 20 V F = 35 V G = 50 V H = 75 V I = 80 V
	Carbon film 0.25 W or 0.33 W	70°C	5%		Polyester flat foil	10%
	Metal film 0.25 W or 0.33 W	70°C	5%		Metalized polyester flat film	10%
	Carbon film 0.5 W	70°C	5%		Polyester flat foil small size (Mylar)	10%
	Carbon film 0.67 W	70°C	5%		Polyesterene film/foil	1%
	Carbon film 1 W or 1.15 W	70°C	5%		Tubular ceramic	
	Chip component				Miniature single	
					Subminiature tantalum	± 20%

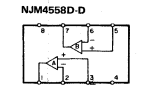
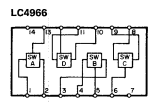
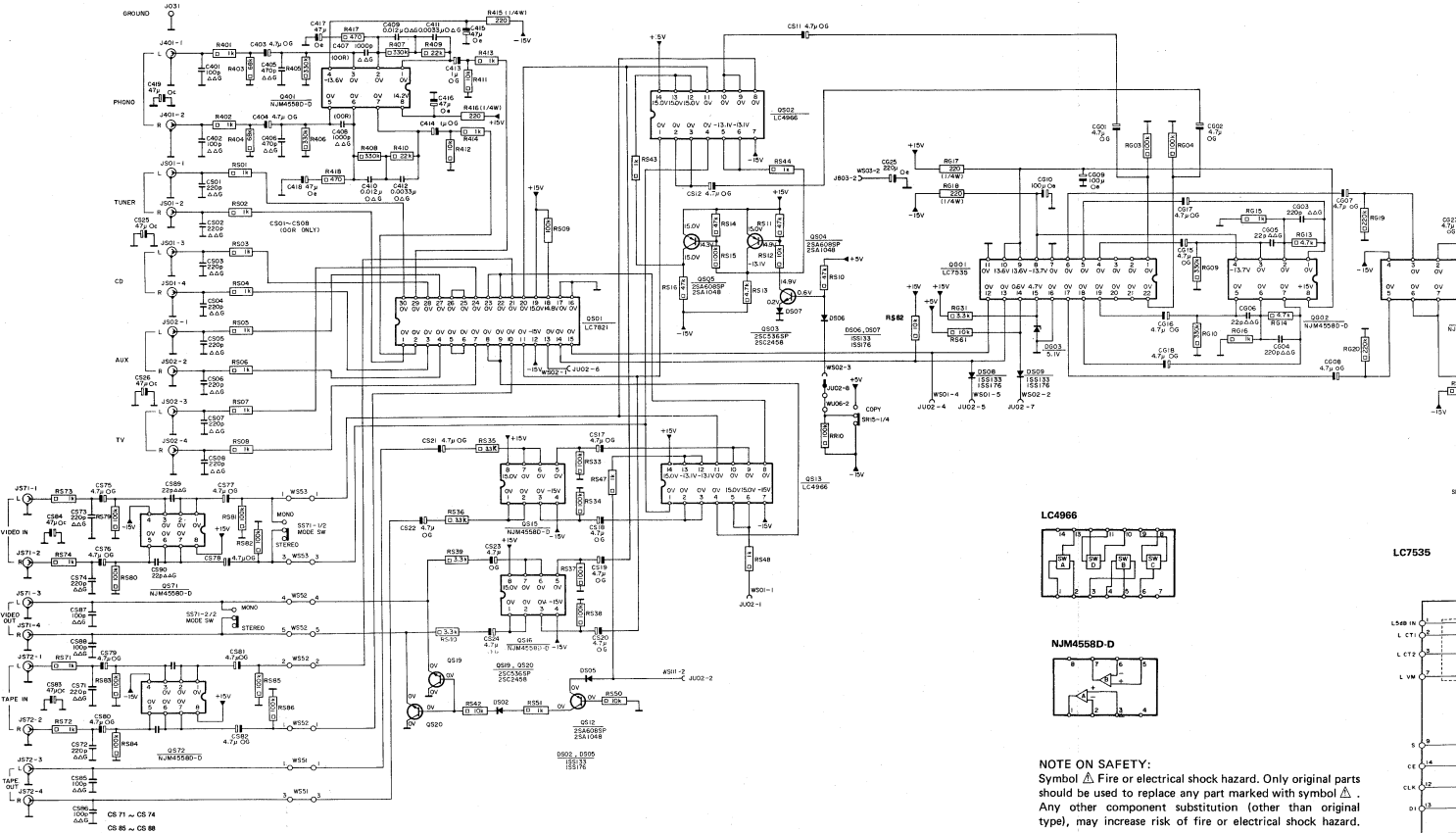
WIRING DIAGRAM

	RG25~RG28 RG9 RG20RG16	RG15	RS64 RS42 RS33~RS40		R407~R414 R417 RS01	R401~R406
R	RG08 RG07 RG04 RG32 RG31	RG19 RG03	RS50	RS48 RS16 RS43 R415 R416 RS09		R418 RS01~RS08
	RS10 RG10 RG14 RS61 RS62	RG13	RG17 RG18 RS51	RS47	RS31 RS44 RS11~RS15	RS17~RS23
C	CG21~CG25		CG15 CG17		CS17~CS20 CS11	C401~C415 C416
	CG07 CG04 CG06 CG18 CE20		CG03 CG10 CG01	CS21~CS24		C418 C419 C426
	CG02 CG08 CG16 CG35		CG05			CS01~CS08
Q	QG03~QG07	QG02 QG01	QS19 QS20 QS12 QS15 QS16	QS13	QS01~QS05 Q401	
D - G	DG02 DG04	DG03 DS09 DS08	DS02 DS05		DS06 DS07	

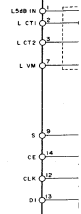


SCHEMATIC DIAGRAM

R	R501~R508 R401~R406	R418 R417	R407~R410	R411~R416	R509	R543	R510~R516 R544	R517 R518	R551
C	C571~C574 C575~C586	C419 C501~C508	C401~C406	C418 C417	C407~C410	C411~C416	C521~C524 C517~C520	C511	C529
D	D571	D572	Q401	Q519 Q520 Q501	Q515 Q516 Q512 Q502 Q505	Q502 Q513	Q503~Q505 Q507 Q503 Q506	Q508 Q509	Q603 Q601
S	S571	S551					S505~1/4	SE01 SE02	



LC7535

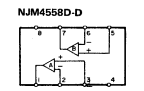
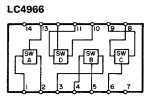
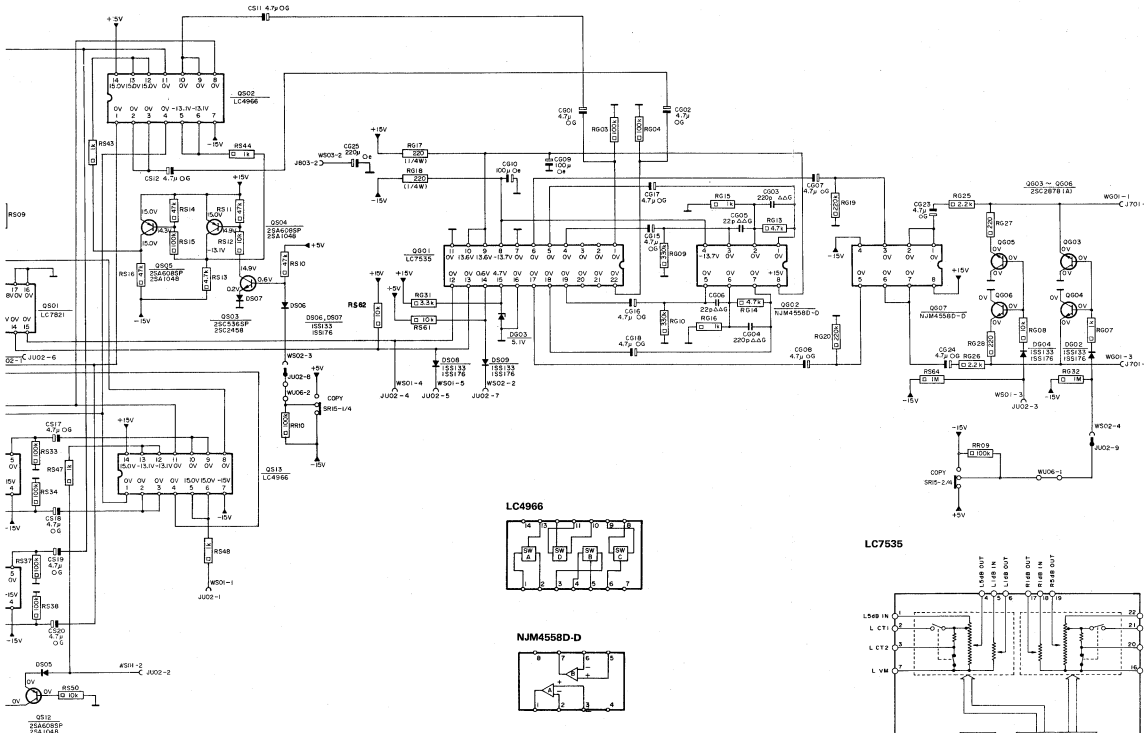


NOTE ON SAFETY:
 Symbol Fire or electrical shock hazard. Only original parts should be used to replace any part marked with symbol . Any other component substitution (other than original type), may increase risk of fire or electrical shock hazard.

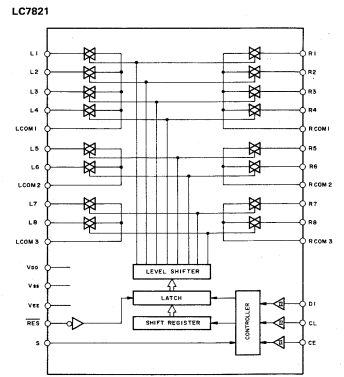
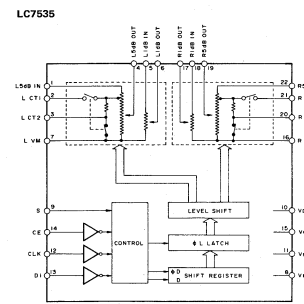
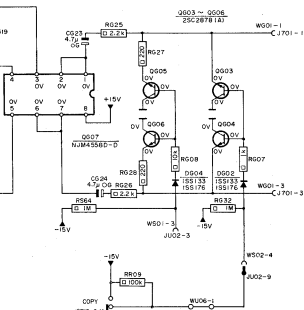
(R/R only)

SCHEMATIC DIAGRAM

R543	R544	R545	R546	R547	R548	R549	R550	R551	R552	R553	R554	R555	R556	R557	R558	R559	R560	R561	R562	R563	R564	R565	R566	R567	R568	R569	R570	R571	R572	R573	R574	R575	R576	R577	R578	R579	R580	R581	R582	R583	R584	R585	R586	R587	R588	R589	R590	R591	R592	R593	R594	R595	R596	R597	R598	R599	R600	R601	R602	R603	R604	R605	R606	R607	R608	R609	R610	R611	R612	R613	R614	R615	R616	R617	R618	R619	R620	R621	R622	R623	R624	R625	R626	R627	R628	R629	R630	R631	R632	R633	R634	R635	R636	R637	R638	R639	R640	R641	R642	R643	R644	R645	R646	R647	R648	R649	R650	R651	R652	R653	R654	R655	R656	R657	R658	R659	R660	R661	R662	R663	R664	R665	R666	R667	R668	R669	R670	R671	R672	R673	R674	R675	R676	R677	R678	R679	R680	R681	R682	R683	R684	R685	R686	R687	R688	R689	R690	R691	R692	R693	R694	R695	R696	R697	R698	R699	R700	R701	R702	R703	R704	R705	R706	R707	R708	R709	R710	R711	R712	R713	R714	R715	R716	R717	R718	R719	R720	R721	R722	R723	R724	R725	R726	R727	R728	R729	R730	R731	R732	R733	R734	R735	R736	R737	R738	R739	R740	R741	R742	R743	R744	R745	R746	R747	R748	R749	R750	R751	R752	R753	R754	R755	R756	R757	R758	R759	R760	R761	R762	R763	R764	R765	R766	R767	R768	R769	R770	R771	R772	R773	R774	R775	R776	R777	R778	R779	R780	R781	R782	R783	R784	R785	R786	R787	R788	R789	R790	R791	R792	R793	R794	R795	R796	R797	R798	R799	R800	R801	R802	R803	R804	R805	R806	R807	R808	R809	R810	R811	R812	R813	R814	R815	R816	R817	R818	R819	R820	R821	R822	R823	R824	R825	R826	R827	R828	R829	R830	R831	R832	R833	R834	R835	R836	R837	R838	R839	R840	R841	R842	R843	R844	R845	R846	R847	R848	R849	R850	R851	R852	R853	R854	R855	R856	R857	R858	R859	R860	R861	R862	R863	R864	R865	R866	R867	R868	R869	R870	R871	R872	R873	R874	R875	R876	R877	R878	R879	R880	R881	R882	R883	R884	R885	R886	R887	R888	R889	R890	R891	R892	R893	R894	R895	R896	R897	R898	R899	R900	R901	R902	R903	R904	R905	R906	R907	R908	R909	R910	R911	R912	R913	R914	R915	R916	R917	R918	R919	R920	R921	R922	R923	R924	R925	R926	R927	R928	R929	R930	R931	R932	R933	R934	R935	R936	R937	R938	R939	R940	R941	R942	R943	R944	R945	R946	R947	R948	R949	R950	R951	R952	R953	R954	R955	R956	R957	R958	R959	R960	R961	R962	R963	R964	R965	R966	R967	R968	R969	R970	R971	R972	R973	R974	R975	R976	R977	R978	R979	R980	R981	R982	R983	R984	R985	R986	R987	R988	R989	R990	R991	R992	R993	R994	R995	R996	R997	R998	R999	R1000
------	------	------	------	------	------	------	------	------	------	------	------	------	------	------	------	------	------	------	------	------	------	------	------	------	------	------	------	------	------	------	------	------	------	------	------	------	------	------	------	------	------	------	------	------	------	------	------	------	------	------	------	------	------	------	------	------	------	------	------	------	------	------	------	------	------	------	------	------	------	------	------	------	------	------	------	------	------	------	------	------	------	------	------	------	------	------	------	------	------	------	------	------	------	------	------	------	------	------	------	------	------	------	------	------	------	------	------	------	------	------	------	------	------	------	------	------	------	------	------	------	------	------	------	------	------	------	------	------	------	------	------	------	------	------	------	------	------	------	------	------	------	------	------	------	------	------	------	------	------	------	------	------	------	------	------	------	------	------	------	------	------	------	------	------	------	------	------	------	------	------	------	------	------	------	------	------	------	------	------	------	------	------	------	------	------	------	------	------	------	------	------	------	------	------	------	------	------	------	------	------	------	------	------	------	------	------	------	------	------	------	------	------	------	------	------	------	------	------	------	------	------	------	------	------	------	------	------	------	------	------	------	------	------	------	------	------	------	------	------	------	------	------	------	------	------	------	------	------	------	------	------	------	------	------	------	------	------	------	------	------	------	------	------	------	------	------	------	------	------	------	------	------	------	------	------	------	------	------	------	------	------	------	------	------	------	------	------	------	------	------	------	------	------	------	------	------	------	------	------	------	------	------	------	------	------	------	------	------	------	------	------	------	------	------	------	------	------	------	------	------	------	------	------	------	------	------	------	------	------	------	------	------	------	------	------	------	------	------	------	------	------	------	------	------	------	------	------	------	------	------	------	------	------	------	------	------	------	------	------	------	------	------	------	------	------	------	------	------	------	------	------	------	------	------	------	------	------	------	------	------	------	------	------	------	------	------	------	------	------	------	------	------	------	------	------	------	------	------	------	------	------	------	------	------	------	------	------	------	------	------	------	------	------	------	------	------	------	------	------	------	------	------	------	------	------	------	------	------	------	------	------	------	------	------	------	------	------	------	------	------	------	------	------	------	------	------	------	------	------	------	------	------	------	------	------	------	-------

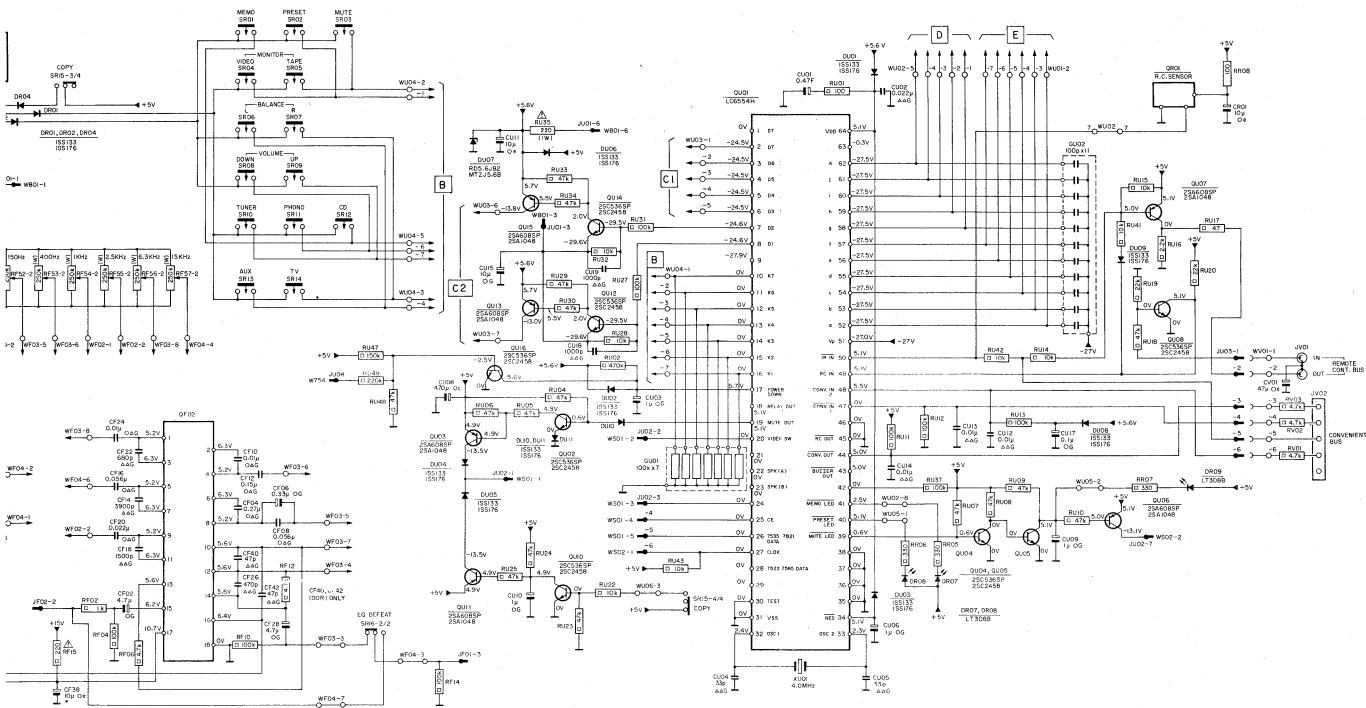


NOTE ON SAFETY:
 Symbol Δ Fire or electrical shock hazard. Only original parts should be used to replace any part marked with symbol Δ . Any other component substitution (other than original type), may increase risk of fire or electrical shock hazard.



SCHEMATIC DIAGRAM

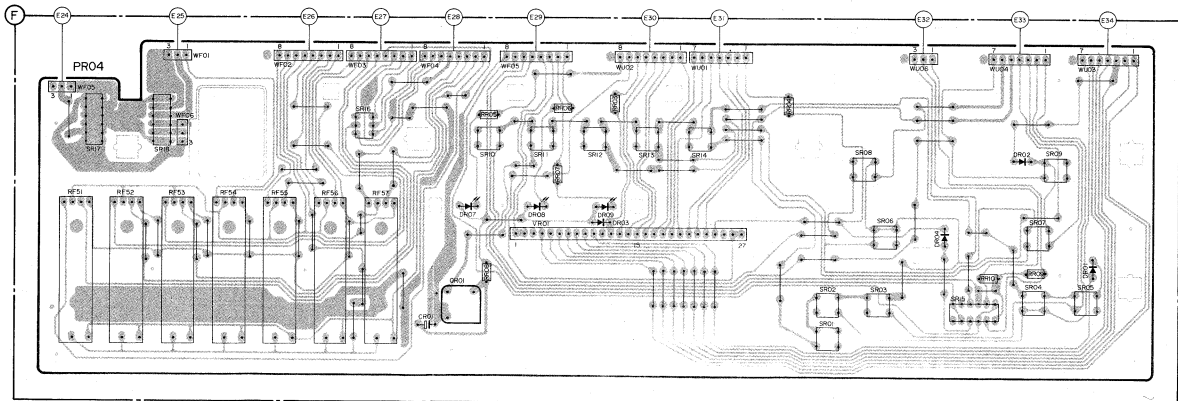
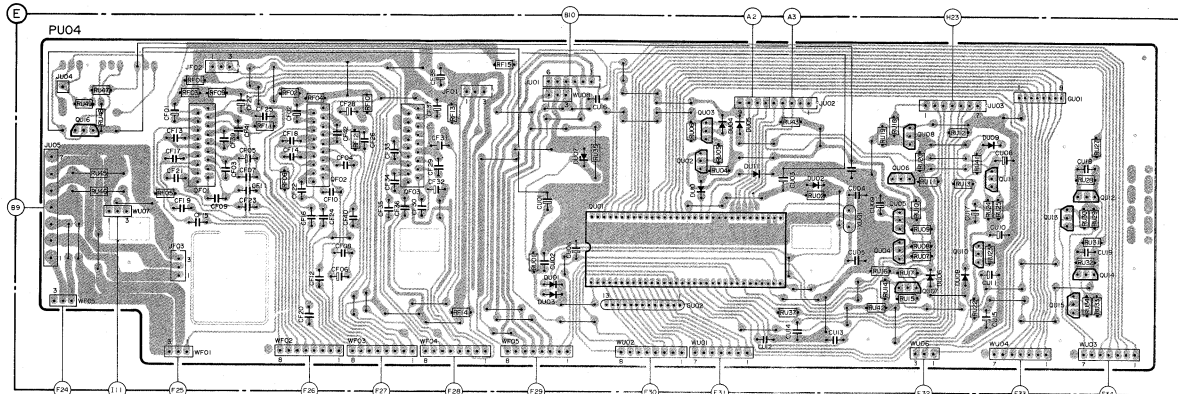
RU17~RU19				RU24~RU26				RU30				RU37				RU42				RU41				RU15~RU20				RU08				RU1~RU3				R
RF03	RF02	RF04	RF05	RF10	RF12	RF22~RF25	RF27~RF29	RU02	RU43	RU01	RU07~RU04	RU06	RU05	RU07	RU04	RU06	RU05	RU07	RU04	RU06	RU05	RU07	RU04	RU06	RU05	RU15~RU20	RU08	RU1~RU3	RU08	RU1~RU3	C					
CF06	CF20	CF24	CF28	CF04	CF06	CF20	CF02	CU05	CU08	CU01	CU09	CU06	CU08	CU07	CU02~CU04	CU09	CU09	CU07	CU02~CU04	CU09	CU09	CU07	CU02~CU04	CU09	CU09	CU09	CU08	CU09	CU09	CU09	CU09	C				
RO2	RO4	RO5H		RF02				QU03	QU04	QU05	QU07	QU02	QU01	QU45	QU06	QU02	QU10	QU11	QU01	QU01	QU03	QU07	QU08	QU04~QU06	QU08	QU09	QU09	QU09	QU09	S-B						
SR05~3/4				SR01~SR4				SR06~2/2				SU01				SU02				SU03				SU04				S-V-V								



NOTE ON SAFETY:
 Symbol Δ Fire or electrical shock hazard. Only original parts should be used to replace any part marked with symbol Δ . Any other component substitution (other than original type), may increase risk of fire or electrical shock hazard.

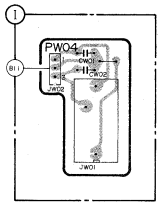
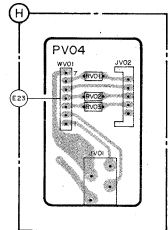
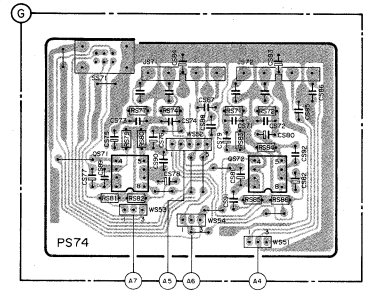
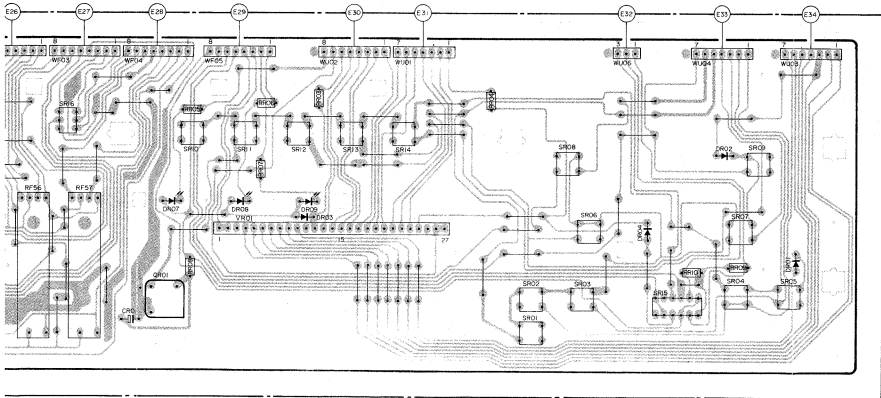
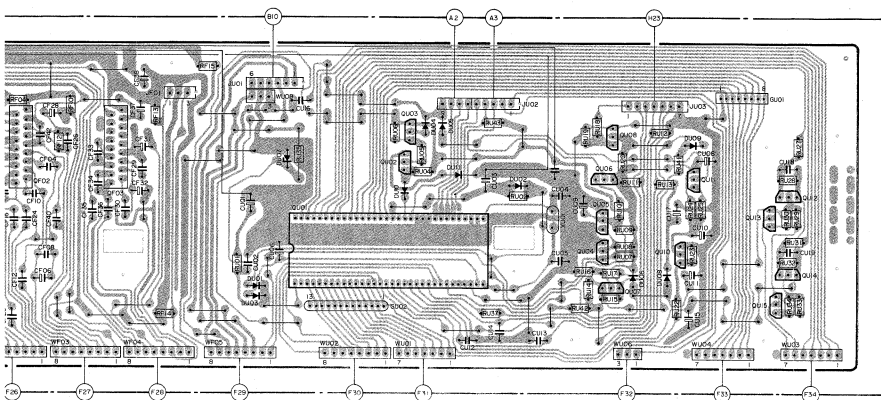
WIRING DIAGRAM

R	RU45~RU49	RF05 RF03 RF01 RF09 RF11	RF02 RF04	RF12 RF10	RF13 RF14 RF15	RU01	RU35	RU04~RU06	RU43 RU37 RU02	RU42	RU07~RU20	RU41 RU22~RU25	RU27~RU34		
C	RF31~RF37	RF06	CF01~CF25	CF42 CF28	CF29~CF38	CU01	CU05 CU16	CU02	CU03~CU05	CU09	CU11 CU08 CU10	CU15	CU18		
D-S-X	SR17	SR18	CF39 CF27 CF41	CF40	CR01	SR02	SR03~SR04	SR05~SR04	SR02	SR01	SR03 SR04 SR05	SR06 SR07 SR08	SR09 SR10		
Q-Q-V	QU16	QU01	QU02	QU02	QU01	VR01	QU01	QU02 QU03 QU02	QU02	QU01	QU04 QU05 QU11	QU02 QU01	QU04 QU08	QU09~QU15	QU01



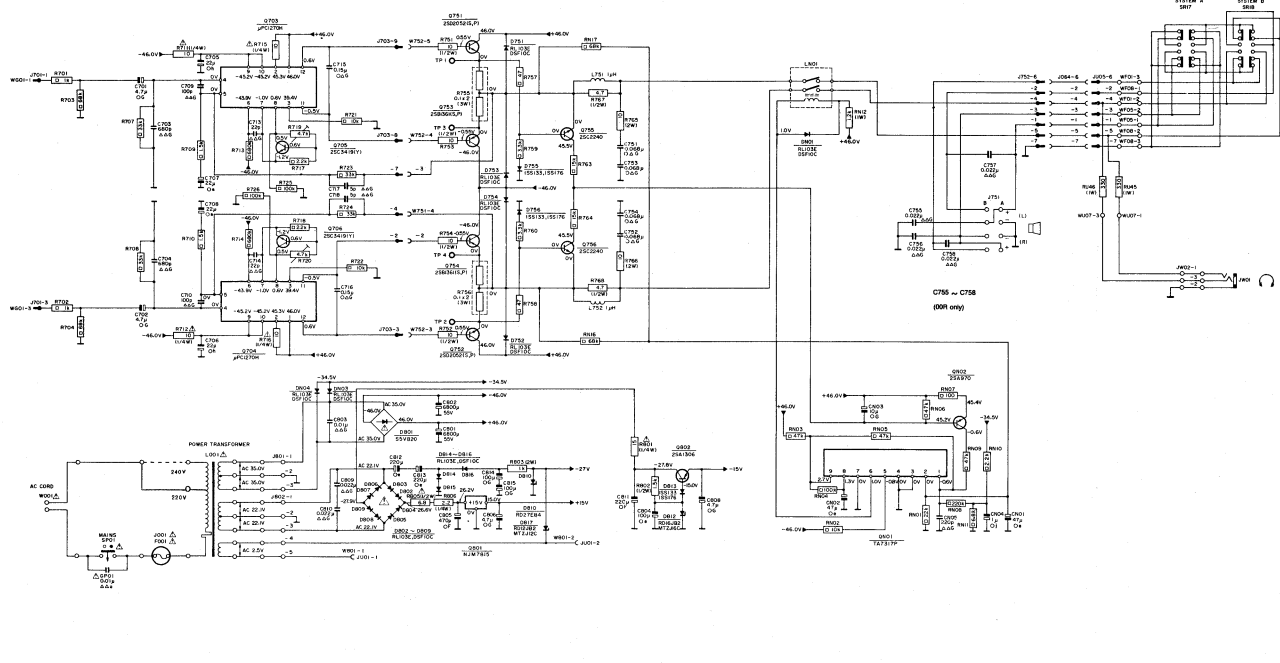
WIRING DIAGRAM

2	RF04	RF12	RF10	MF13	MF14	RF15	RU01	RU35	RU04~RU06	RU43	RU37	RU02	RU42	RU07~RU20	RU41	RU22~RU25	RU27~RU34	RS79~RS82	RS71	RS72							
RF06				RR05~RR08			RR03			RR04			SR10					RV01~RV03	RS77	RS74	RS83~RS86						
CF42	CF28	CF29~CF38		CU01	CU06	CU16			CU03~CU05	CU09		CU11	CU08	CU10			CU18	CS73~CS78	CS90	CS84	CS87	CS88	CS71	CS72	CS92	CS85	CS86
CF40		CR01		DU02					DU12~DU14			DU17	DU15				DU18	CS99			CS79	CS91	CS80~	CS88	CW01	CW02	
GF02		GR6		DR07~DR09	DU03	DU07	DR03	SR10~SR14	DU10	DU04	DU05	DU11	DU02	RU01	DU06	DR04	DU08	DR09	SR15	DR02	SR10~SR09	DR01					
		GF03		DR01		VR01	GU01		GU02	GU03	GU02			GU04~GU08	GU10~GU15	GU01		SS71			SS71						



SCHEMATIC DIAGRAM

R	R701 ~ R704	R727 R707 R708 R709 ~ R712	R713 ~ R716	R723	R724	R761 ~ R754 R755 R756 R757 ~ R760	R817 R816	R824 ~ R818	R819 R820	R803 R804 R805	R806 R807 R808 R809	R810 R811	R812 R813 R814	R815	R816 R817	R
C	C701 ~ C704	C705 ~ C710	C711 ~ C716	C717	C718	C801 C802 C803 C812 C813	C804 C805 C806 C807 C808 C809 C810 C811 C812 C813 C814 C815 C816 C817 C818 C819 C820 C821 C822 C823 C824 C825 C826 C827 C828 C829 C830 C831 C832 C833 C834 C835 C836 C837 C838 C839 C840 C841 C842 C843 C844 C845 C846 C847 C848 C849 C850 C851 C852 C853 C854 C855 C856 C857 C858 C859 C860 C861 C862 C863 C864 C865 C866 C867 C868 C869 C870 C871 C872 C873 C874 C875 C876 C877 C878 C879 C880 C881 C882 C883 C884 C885 C886 C887 C888 C889 C890 C891 C892 C893 C894 C895 C896 C897 C898 C899 C900 C901 C902 C903 C904 C905 C906 C907 C908 C909 C910 C911 C912 C913 C914 C915 C916 C917 C918 C919 C920 C921 C922 C923 C924 C925 C926 C927 C928 C929 C930 C931 C932 C933 C934 C935 C936 C937 C938 C939 C940 C941 C942 C943 C944 C945 C946 C947 C948 C949 C950 C951 C952 C953 C954 C955 C956 C957 C958 C959 C960 C961 C962 C963 C964 C965 C966 C967 C968 C969 C970 C971 C972 C973 C974 C975 C976 C977 C978 C979 C980 C981 C982 C983 C984 C985 C986 C987 C988 C989 C990 C991 C992 C993 C994 C995 C996 C997 C998 C999 C1000	C								
S - D	S801 S802	F001	L001													S - D
S-1,1-S,1,F																S-1,1-S,1,F

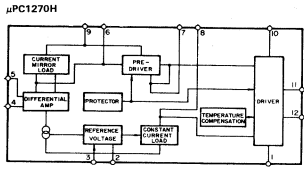
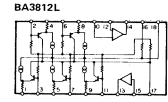
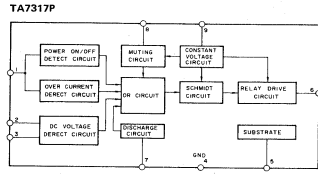
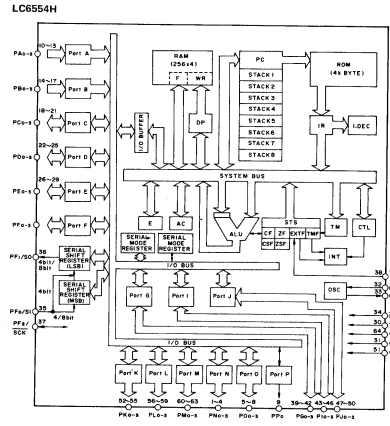
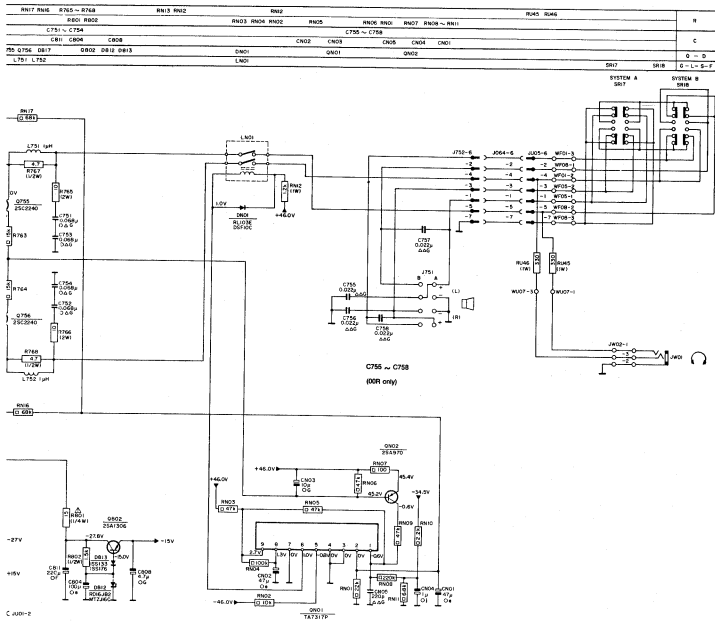



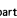
NOTE ON SAFETY:
 Symbol Δ Fire or electrical shock hazard. Only original parts should be used to replace any part marked with symbol Δ . Any other component substitution (other than original type), may increase risk of fire or electrical shock hazard.

TAT3

μPC12

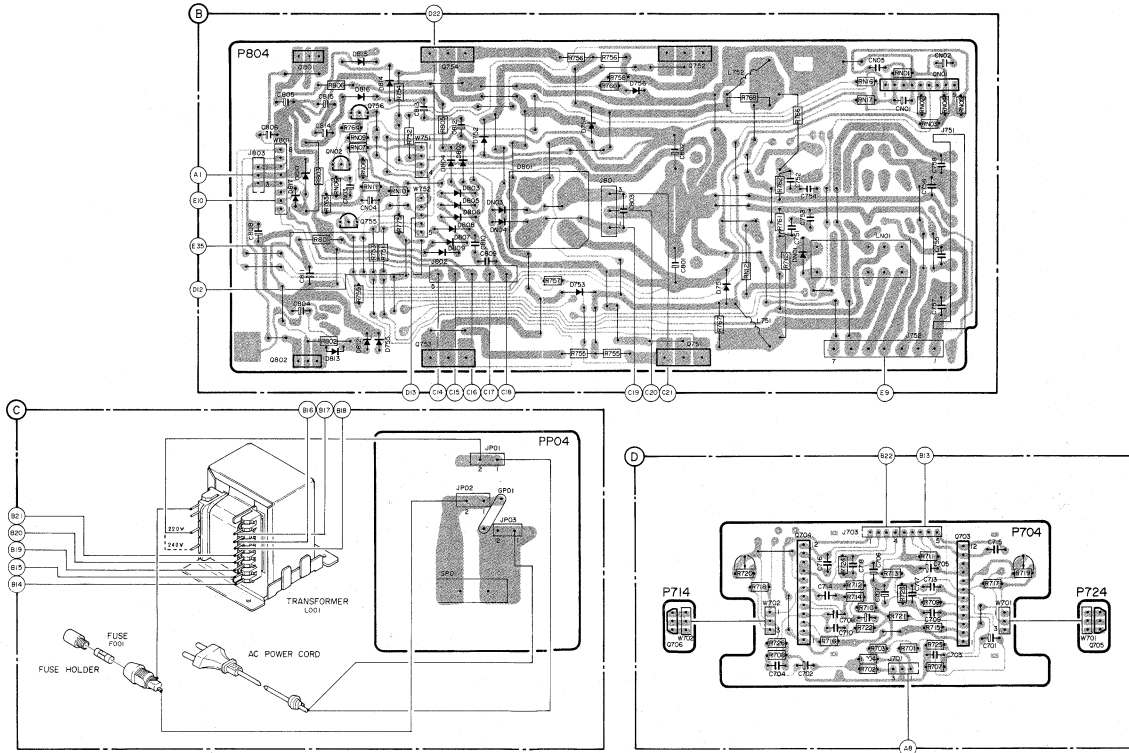
SCHEMATIC DIAGRAM



NOTE ON SAFETY:
 Symbol  Fire or electrical shock hazard. Only original parts should be used to replace any part marked with symbol  . Any other component substitution (other than original type), may increase risk of fire or electrical shock hazard.

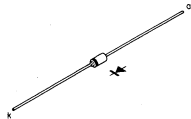
WIRING DIAGRAM

R	R801~R803 R806~R811 R775	R805	R755~R758 R760	R767 R768 Rv12	R765 R766 Rv16 Rv17	R801 R802 R713 R723 R75R717
C	C808 C804~C806 C85 C814	C813	C810 C809	C801~C803	C791~C794 C791	C802 C795~C798 C802
D - S	D817 D810 D812 D815 D816 D755	D801~D809 D752 SPO1 Dv03 Dv04	D754 D753 D756	D751	Dv01	
B-L - G	B801 B802 Bv02 D755 D756	D754 D753 GPO1		D752 D751 D706 L 752 L751 D704 D708	Lv01 Dv01 D703 D707	D705

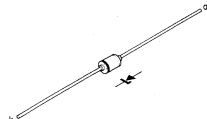


-21-

Semiconductor Layout

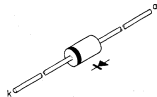


1SS133
1SS176
MA165



RD5.1JB2/MTZJ5.1B
RD5.6JB2/MTZJ5.6B

RD12JB2/MTZJ12C
RD16JB2/MTZJ16C
RD27EB4



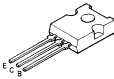
DSF10C
RL103E



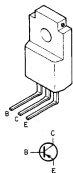
LT3D8B



2SC2240



2SC3419



2SA1308



2SC2878



BA3812L



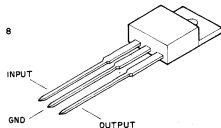
TA7317P



NJM458D-D

2SA608SP
2SA933S
2SA1048
2SA1309A

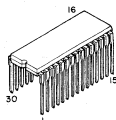
2SC536SP
2SC1740S
2SC2458
2SC3311A



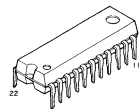
NJM7815A



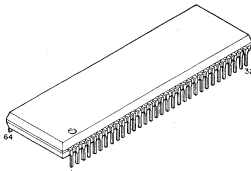
LC4966



LC7821



LC7535



LC6554H

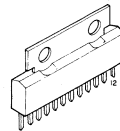
-22-



2SA970



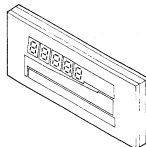
S5VB20



μPC1270H



Z8B1361
ZSD2052



BG-488GK

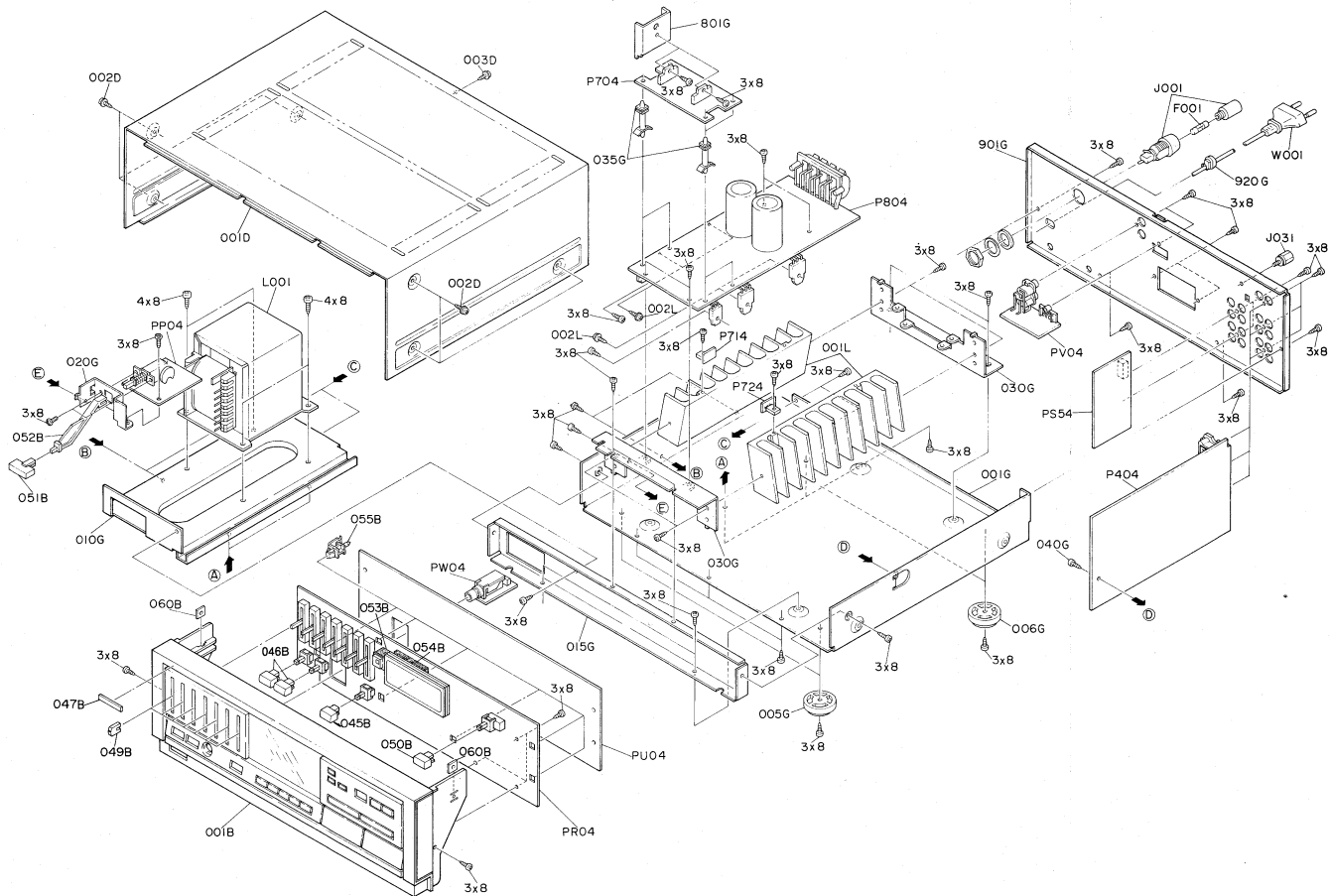
List of mechanical parts

F001	4822 253 30022
J001	4822 256 30233
J031	4822 290 40297
L001	4822 148 60184
001B	4822 444 40219
045B	4822 410 26159
046B	4822 410 26322
049B	4822 410 26158
050B	4822 410 26161
051B	4822 410 26157
052B	4822 402 61144
053B	4822 466 61642
054B	4822 466 61643
055B	4822 402 61143
060B	4822 505 10806
005G	4822 462 41198
006G	4822 462 41186
920G	4822 532 51314

Remark: Only the parts provided with a service code number are available as service spare parts

Remote transmitter RC771/00R	4822 218 20742
Remote transmitter RC772/00R	4822 218 20743

EXPLODED VIEW



LIST OF ELECTRICAL PARTS

CU01	Super cap 0.47F	4822 124 22481	BA3812L	4822 209 83338
GP01	Cap. cer. 0.01 μ F 400 V	4822 122 40305	LC4966	4822 209 83804
GU02	Cap. comp. 100 pF (5x)	4822 121 51191	LC6554H	4822 209 72352
C801,C802	Electr. cap. 6800 μ F 55 V	4822 124 21981	LC7535VR	4822 209 71784
C803	Cap. cer. 0.01 μ F 500 V	4822 122 30043	LC7821	4822 209 72357
			NJM4558D-D	4822 209 83631
			NJM7815	4822 209 83317
			TA7317P	4822 209 83312
			UPC-1270H	4822 209 83779
GU01	Res. comp. 100k (7x)	4822 111 91398		
GU03	Res. comp. 100k (5x)	4822 111 91396		
RF51-RF57	Potm. 250k	4822 105 10728		
RN12	Res. safety 1.2k 1 W	4822 116 60335		
RU35	Res. safety 220 Ω 1 W	4822 116 60246		
RU45,RU46	Res. safety 330 Ω 1 W	4822 111 50474		
R415,R416	Res. safety 220 Ω 1/2 W	4822 111 90727		
R711,R712 } R715,R716 }	Res. fuse 10 Ω 1/4 W	4822 115 90166		
R719,R720	Potm 4.7 k	4822 100 20524		
R751,R752 } R753,R754 }	Res. safety 10 Ω 1/2 W	4822 116 52332		
H755,R756	Res. comp. 0.1 Ω (23x)	4822 111 91402		
R765,R766	Res. safety 10 Ω 2 W	4822 111 90726		
R767,R768	Res. safety 4.7 Ω 1/2 W	4822 116 52858		
R771,R772	Res. safety 330 Ω 2 W	4822 116 60262		
R801	Res. fuse 15 Ω 1/4 W	4822 116 60417		
R802	Res. safety 1.5 k 1/2 W	4822 111 50479		
R803	Res. safety 1k 2 W	4822 116 60332		
R805	Res. fuse 6.8 Ω 1/2 W	4822 111 20384		
R806	Res. safety 2.2 Ω 1/4 W	4822 116 52348		
2SA608SP, 2SA1048 } 2SA1309,A }		4822 130 42715		
2SA970 (GR)		4822 130 42949		
2SA1306 O.Y		4822 130 43023		
2SB1361 (S.P.)		4822 130 60852		
2SC536SP, 2SC2458 } 2SC3311,C }		4822 130 42483		
2SC2240 GR		4822 130 43231		
2SC2878 A		4822 130 43818		
2SC3419Y		4822 130 60117		
2SD2052 (S.P)		4822 130 60853		
			-Miscellaneous-	
			F001	Fuse 1.25A 250 V 4822 253 30022
			JS01,JS02 } JS71,JS72 }	Jack 4p 4822 265 30397
			JV01	Jack 2p 4822 266 30274
			JV02	Jack 5p 4822 267 40768
			JW01	Headphone jack 4822 267 30596
			J001	Fuse holder 4822 256 30233
			J031	Ground terminal 4822 290 40297
			J401	Socket 2p 4822 267 30741
			J701	Plug 3p 4822 265 10078
			J751	Speaker terminal 4822 290 60686
			LN01	Relay DH24D2 4822 280 60508
			L001	Mains transformer 4822 148 60184
			L751,L752	Choke coil 1 μ H 4822 157 51739
			QR01	IR sensor for RC5 4822 130 10009
			SF51	Push switch 4822 276 12304
			SP01	Push switch 4822 276 11798
			SR01+SR14	Push switch 4822 276 11559
			SR15	Push switch 4822 276 12305
			SR17,SR18	Push switch 4822 276 12359
			SS71	Switch slide (stereo) 4822 277 21176
			VR01	Display BG-488GK 4822 130 90482
			XU01	Cer. filter 4 MHz 4822 242 71839